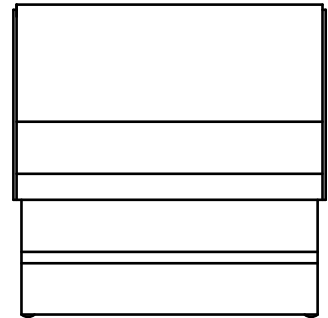
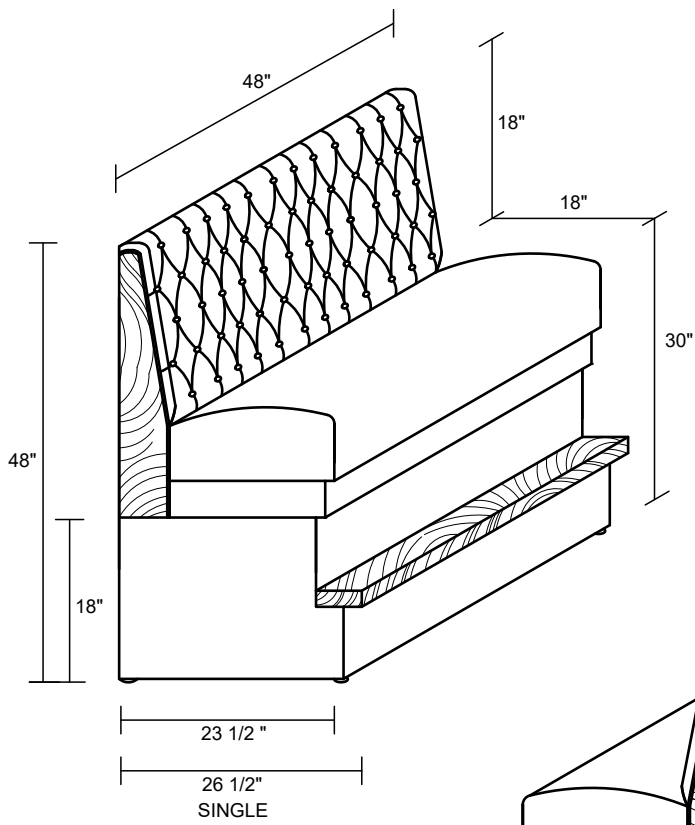
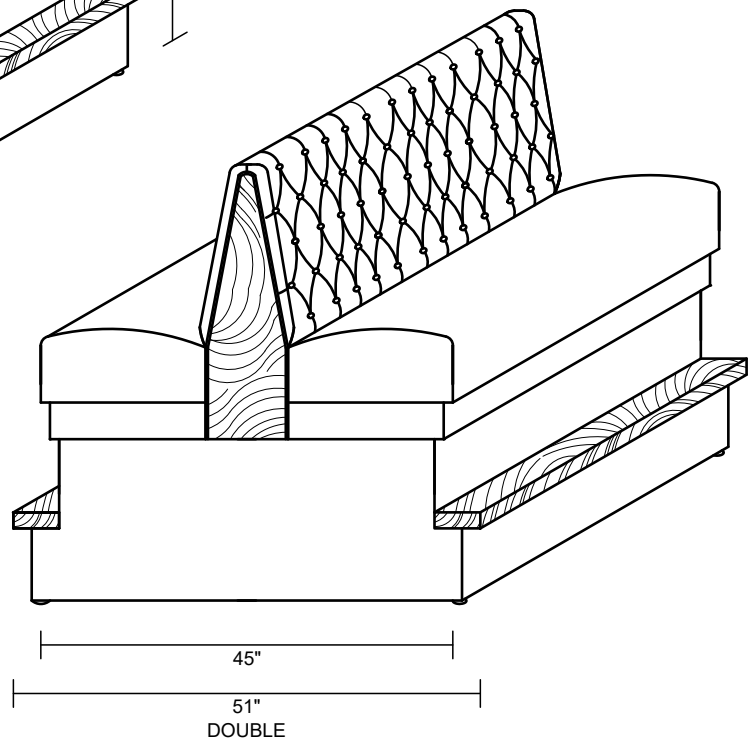




CAROLINA CUSTOM BOOTH CO.
 CAROLINA CUSTOM TABLE CO.



OPTIONS:
 PLAIN UPH ISB & UPH END PANELS
 CONTACT CCB FOR YARDAGE REQUIREMENTS



THE MOORESVILLE

ITEM DESCRIPTION	LENGTH	DEPTH	COM REQUIREMENTS*	
			INSIDE BACK	SEAT & REMAINDER
SINGLE	48"	23 1/2" / 26 1/2"	2.25	2.5
DOUBLE	48"	45" / 51"	4.5	5
1/2 CIRCLE	N/A	N/A	N/A	N/A
3/4 CIRCLE	N/A	N/A	N/A	N/A
WALL BENCH	ANY LENGTH	23 1/2" / 26 1/2"	0.75 / lin ft**	0.75 / lin ft**

*THE ABOVE YARDAGES DO NOT INCLUDE THE OUTSIDE BACK
 *YARDAGES BASED ON SOLID COLORS (NO REPEATS)
 *CONTACT THE FACTORY FOR YARDAGE REQUIREMENTS FOR PATTERNS WITH REPEATS.
 **PER LINEAR FOOT YARDAGE (3 FT. MINIMUM FOR WALL BENCHES)