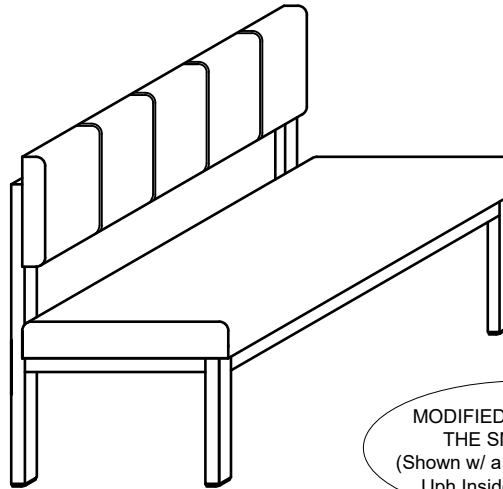
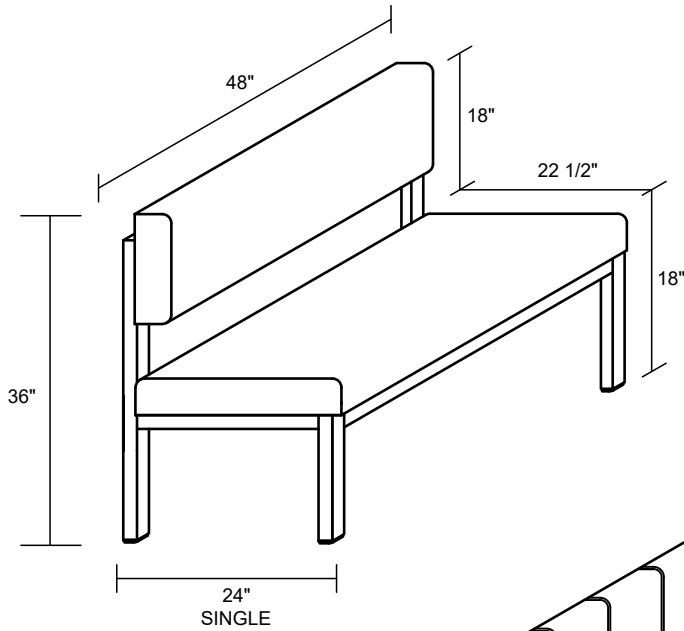




CAROLINA CUSTOM BOOTH CO.  
 CAROLINA CUSTOM TABLE CO.



MODIFIED VERSION OF  
 THE SMITHFIELD  
 (Shown w/ a Vertical Channel  
 Uph Inside Back Detail)

CONTACT THE FACTORY FOR  
 YARDAGE REQUIREMENTS

### THE SMITHFIELD

ITEM DESCRIPTION	LENGTH	DEPTH	COM REQUIREMENTS*	
			INSIDE BACK	SEAT & REMAINDER
SINGLE	48"	24"	1	1
DOUBLE	N/A	N/A	N/A	N/A
1/2 CIRCLE	N/A	N/A	N/A	N/A
3/4 CIRCLE	N/A	N/A	N/A	N/A
WALL BENCH	N/A	N/A	N/A	N/A

\*THE ABOVE YARDAGES DO NOT INCLUDE THE OUTSIDE BACK  
 \*YARDAGES BASED ON SOLID COLORS (NO REPEATS)  
 \*CONTACT THE FACTORY FOR YARDAGE REQUIREMENTS FOR PATTERNS WITH REPEATS.

**\*ONLY AVAILABLE IN SINGLE BOOTH LENGTHS  
 (30", 48", 60", AND 72")**