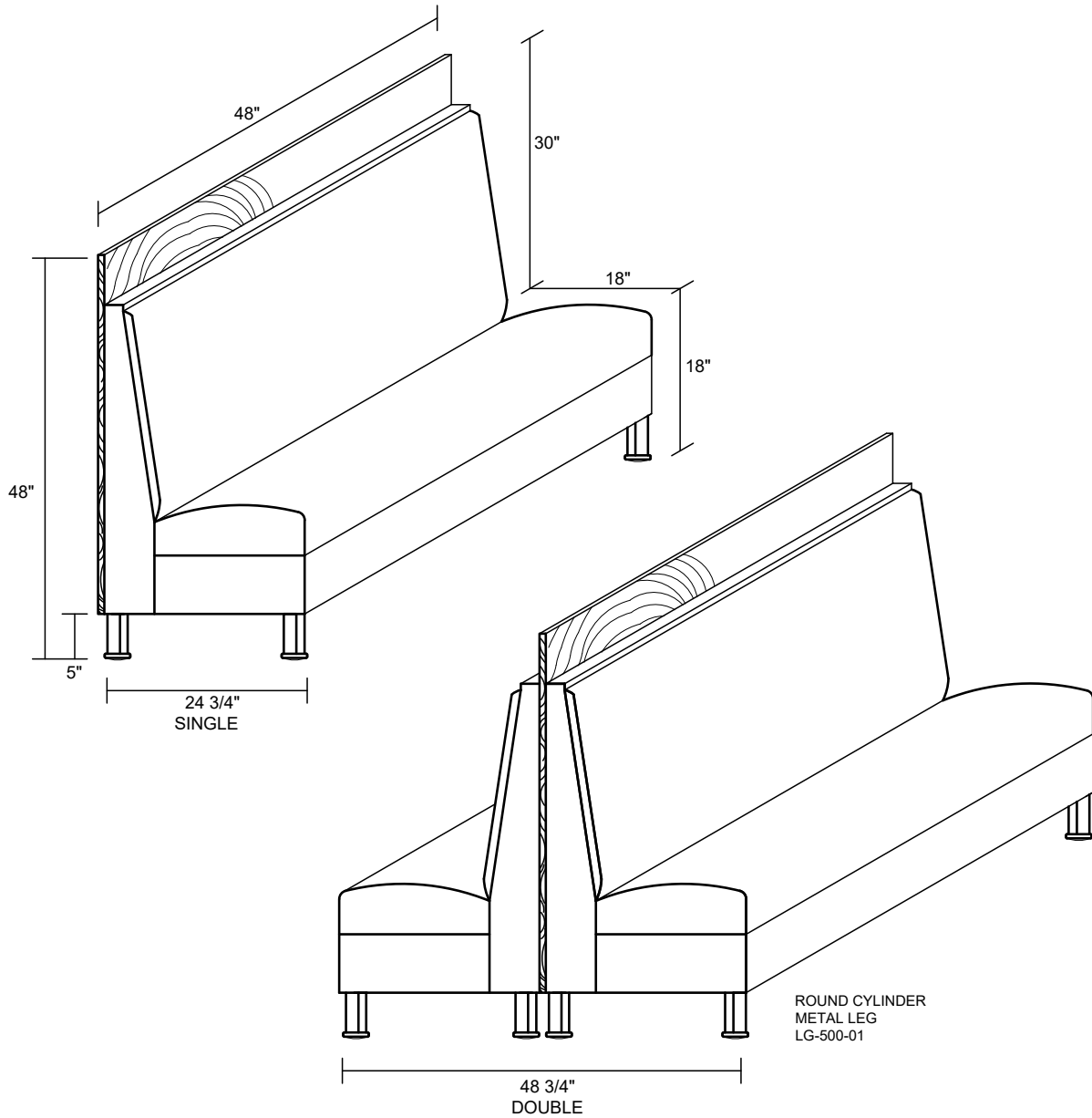




CAROLINA CUSTOM BOOTH CO.
 CAROLINA CUSTOM TABLE CO.

INDUSTRIES



THE FAYETTEVILLE

ITEM DESCRIPTION	LENGTH	DEPTH	COM REQUIREMENTS*	
			INSIDE BACK	SEAT & REMAINDER
SINGLE	48"	24 3/4"	1	1.5
DOUBLE	48"	48 3/4"	2	3
1/2 CIRCLE	48" X 84" X 48"	24 3/4"	5	7
3/4 CIRCLE	48" X 84" X 84" X 48"	24 3/4"	7	9
WALL BENCH	ANY LENGTH	24 3/4"	0.25 / lin ft**	0.5 / lin ft**

*THE ABOVE YARDAGES DO NOT INCLUDE THE OUTSIDE BACK
 *YARDAGES BASED ON SOLID COLORS (NO REPEATS)
 *CONTACT THE FACTORY FOR YARDAGE REQUIREMENTS FOR PATTERNS WITH REPEATS.
 **PER LINEAR FOOT YARDAGE (3 FT. MINIMUM FOR WALL BENCHES)